

Simple Operation and Professional Cutting Quality.

More Capacity & More Safety.



Automatic Roll Sushi Cutter SVC-ATC



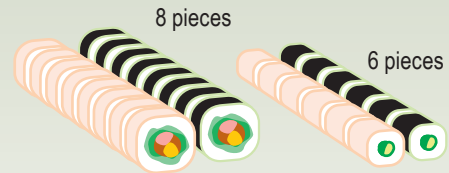
SVC-ATC-ET



SVC-ATC-CE



- Easy setting & cleaning
- Easy cutting blade replacement
- Safety sensor for Front Cover
- Maximum 60mm diameter roll cut



Standard cutting unit are either 180mm-6pieces or 180mm-8pieces.



4 hosomaki (small roll) can be set on cutting table : 2,200 rolls / hr



2 medium size rolls : 1,100 rolls / hr



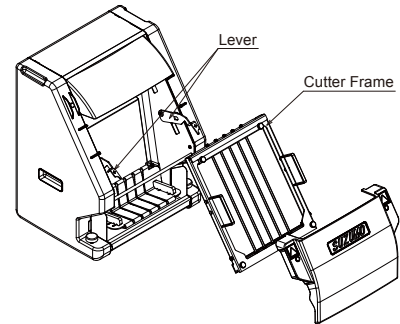
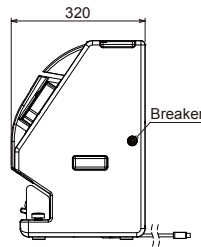
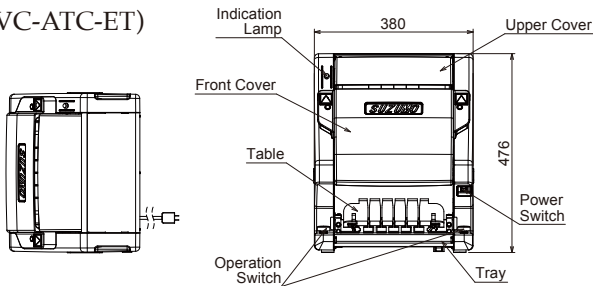
1 large size rice outside roll : 550 rolls / hr

Automatic Roll Sushi Cutter SVC-ATC

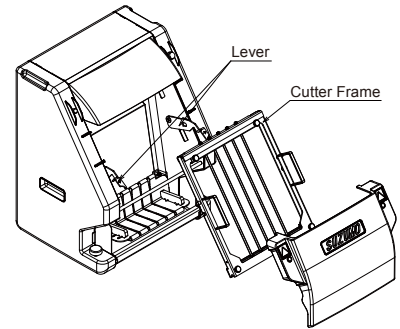
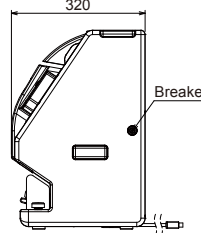
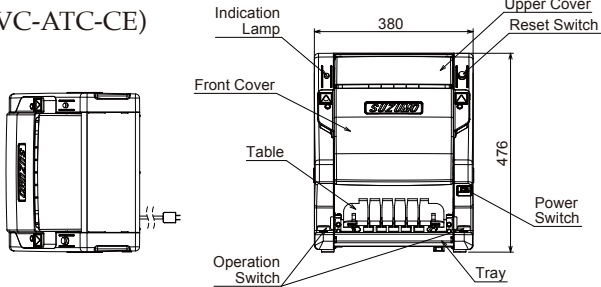
Unit: mm

■ Dimensions

(SVC-ATC-ET)



(SVC-ATC-CE)



■ Specifications

Model

SVC-ATC-ET (Meets UL/NSF standards)

SVC-ATC-CE (Applied to CE & UKCA Regulation)

Input

AC100-240V, 50/60 Hz, Single phase

Power consumption

140W

Capacity

Small roll (25mm□): Approx 2,200 rolls/hr (4 rolls at one time)

Medium roll (35mm□): Approx 1,100 rolls/hr (2 rolls at one time)

Large roll (46-60mm□): Approx 550 rolls/hr (1 roll at one time)

Machine dimensions

380W×320D×476Hmm

Weight

Approx. 17Kg (include cutting table & flame)

Power connection cable

2m

Plug can be selectable among CE, BF, and UL type

■ Features

- Designed for safe operation and easy cleaning.
- Cutting unit can be designed as custom order basis. Standard cutting unit is either 180mm-6 pieces or 180mm-8 pieces.
- Wider cutting table can be set 3pieces of small rolls (*Hosomaki*) and cut at one time.
- Compact and lightweight design enables you to carry the machine wherever you wish.

* Designs and specifications are subject to change without notice.
* While capacity expresses the machine's performance capabilities, it is predicated upon the machine being operated correctly.

Suzumo Machinery Co., Ltd. Global Business Division

2-23-2, Toyotamakita, Nerima-ku, Tokyo 176-0012, Japan

Tel. +81 3-3993-1407 Fax. +81 3-3993-1756

e-mail overseas@suzumo.co.jp URL <http://www.suzumokikou.com>

< Contact in North America >

Suzumo International Corporation

Head Office : 1815 W. 205th Street, Suite 101 Torrance, CA 90501 U.S.A.

Tel. +1 310-328-0400 Fax. +1 310-328-2700 e-mail sic@suzumokikou.com

East Office : 375 North Street, Unit K, Teterboro, NJ 07608 U.S.A.

Tel. +1 201-568-1900 e-mail sic@suzumokikou.com

< Contact in Singapore >

Suzumo Singapore Corporation Pte. Ltd.

421 Tagore Industrial Avenue #04-11 Tagore 8, Singapore 787805

Tel. +65 6254-2080 Fax. +65 6254 2086 e-mail sales@suzumo-sg.com

202210(suzumo)