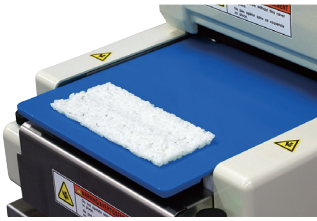


It makes beautiful Rice Sheet for Roll Sushi Fast and Consistently !

Just press operation button,
then it will spread sushi rice
for your rolls. 6 different sizes
can be memorized.



Small Roll Sheet



Medium Roll Sheet



Large Roll Sheet



Supporting 7 Languages

LCD operation touch panel can be
displayed in either English, French, German,
Spanish, Korean, Chinese, and Japanese
by user selection on panel.

Rice sheet Machine SVR-NYA



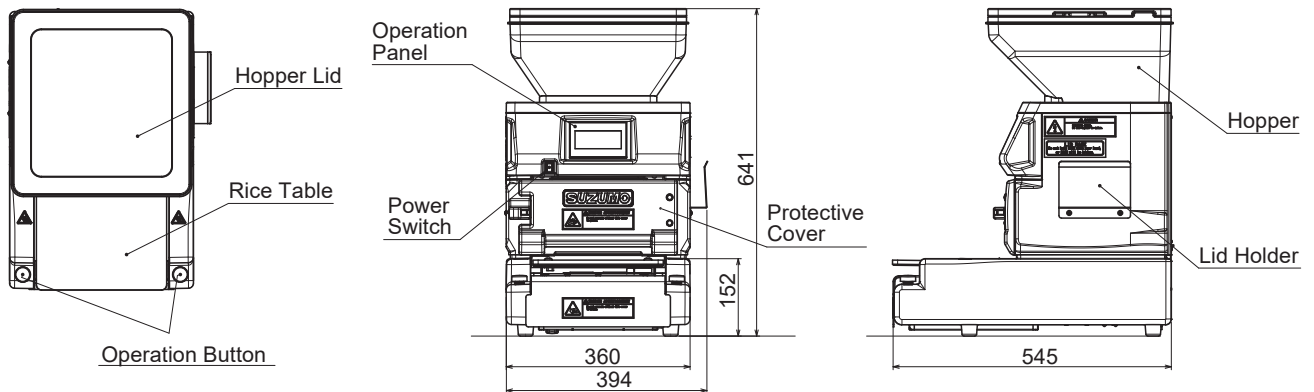
FUJII KEIZAI CO., LTD.[Current status
and future outlook of worldwide
robot-related markets]Results for
2024 Sales Quantity and Amount for
Sushi Making Machine



Rice sheet Machine SVR-NYA

Unit: mm

■ Dimensions



■ Specifications

Model

SVR-NYA-ET (Meets UL/NSF standards)

Input

AC100-240V

50/60 Hz, Single phase

Power consumption

80W

Capacity

Small roll: 950 sheets/hr (at rice 80 mm long)

Medium roll : 850 sheets/hr (at rice 120mm long)

Large roll : 750 sheets/hr (at rice 180mm long)

*Production capacity varies by operator's working speed.

Hopper capacity

MAX 8.5kg of cooked rice

Machine dimensions (in mm)

394W×545D×641Hmm

Weight

33.5kg

■ Features

• Time Saving

It spreads sushi rice in a couple of second. You can save much time.

• Quality

It spreads sushi rice without smashing rice grains. You can get consistent quality no mater who operation it.

• Flexibility

Length, thickness, even density of rice sheet can be adjusted. Six (6) different sizes can be memorized.

• Easy to clean

It is designed for simple and easy cleaning.



<https://www.suzumokikou.com>

< Japan Office >

Suzumo Machinery Co., Ltd. Global Business Department

e-mail overseas@suzumo.co.jp Tel. +81 3-3993-1407

< Contact in Singapore >

Suzumo Singapore Corporation Pte. Ltd. (SSC)

e-mail sales@suzumo-sg.com Tel. +65 6254-2080

Contact Us



*Designs and specifications subject to change without notice.
202607