

**For Many
Purpose**

**Super compact & Easy to use
Very helpful for your variety of products**

Table Top Type Hand Pressing Forming Unit THS-DRA

**For Triangle, Circle, Rectangle type etc...
Making your products to be richer!!**



Fuwarica

For precise rice amount,
Rice Serving Machine is
useful.



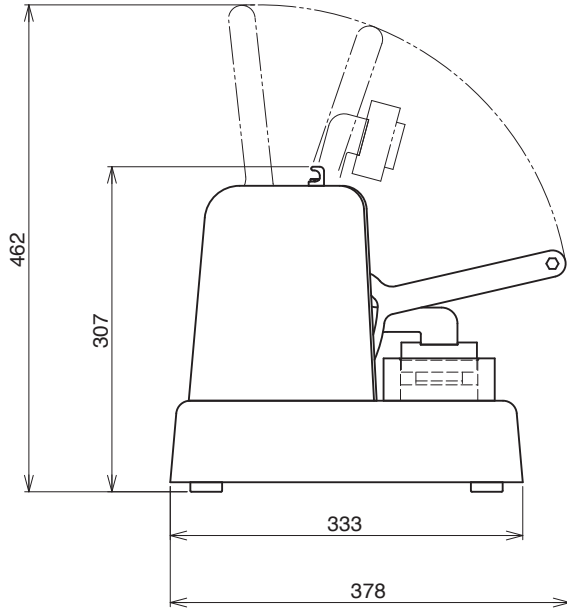
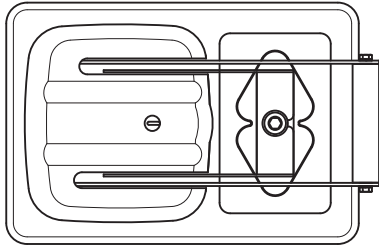
**This unit is useful
for Rice ball wrapping!**

Rice Ball Bag Opening Unit FHB-SHC

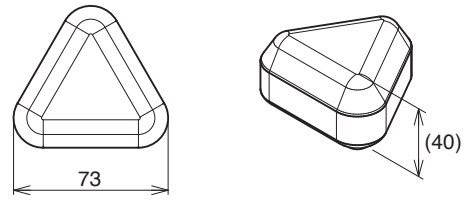
**Super Compact for small space
Anyone can wrap Rice ball beautifully.**



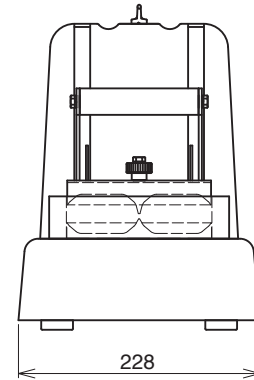
Dimensions



Standard Mold Type Dimension (When 95g)



(Image)



Specifications

Table Top Type Hand Pressing Forming Unit **THS-DRA**

Machine dimensions	228W×333D(Max. 378D) ×307H(Max. 462H) mm
Weight	Approx.6.5kg
Standard mold type	Triangle 2pcs in one type / 1 face 73mm
Option	Triangle, Circle, Rectangle type

Rice Ball Bag Opening Unit **FHB-SHC**

Machine dimensions	152W×300D×72Hmm
Input	AC100V 50/60Hz
Power rating	25W
Weight	Approx. 1.8kg
Power Cable	2m length without ground wire

Features of THS-DRA

- Several type of molding unit is available, such as triangle, circle and rectangle shape.
- Using THS-DRA together with Rice Dispensing Machine can improve operating efficiency. Uniformity of product can be achieved.
- Very compact table top unit can fit to any location and easy to move.
- Easy maintenance. (Disassembling, Washing and Assembling)

* Designs and specifications subject to change without notice. * Please follow the directions in the operations manual when handling the robot.
 * While capacity expresses the machine's performance capabilities, it is predicated upon the robot being operated correctly.

Suzumo Machinery Co., Ltd. Global Business Division

2-23-2, Toyotamakita, Nerima-ku, Tokyo 176-0012, Japan
 Tel. +81 3-3993-1407 Fax. +81 3-3993-1756
 e-mail overseas@suzumo.co.jp URL <http://www.suzumokikou.com>

< Contact in North America >

Suzumo International Corporation

Head Office : 1815 W. 205th Street, Suite 101 Torrance, CA 90501 U.S.A.
 Tel. +1 310-328-0400 Fax. +1 310-328-2700 e-mail sic@suzumokikou.com

East Office : 375 North Street, Unit K, Teterboro, NJ 07608 U.S.A.
 Tel. +1 201-568-1900 e-mail sic@suzumokikou.com

< Contact in Singapore >

Suzumo Singapore Corporation Pte. Ltd.

421 Tagore Industrial Avenue #04-11 Tagore 8, Singapore 787805
 Tel. +65 6254-2080 Fax. +65 6254 2086 e-mail sales@suzumo-sg.com